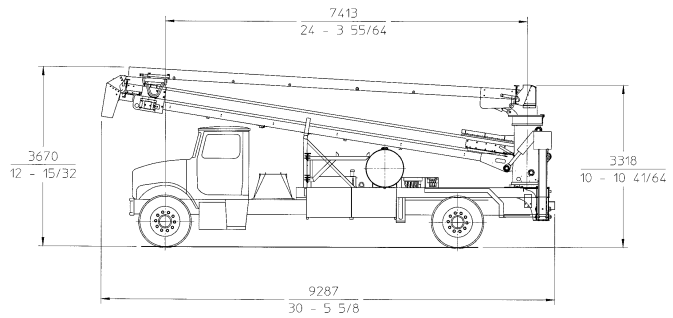
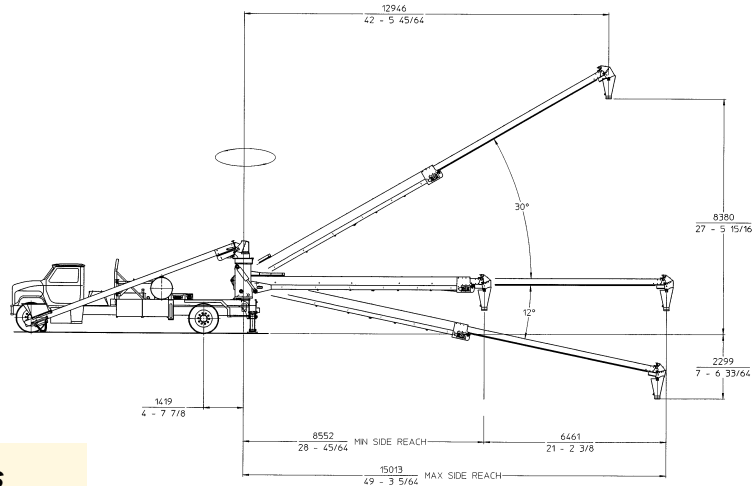
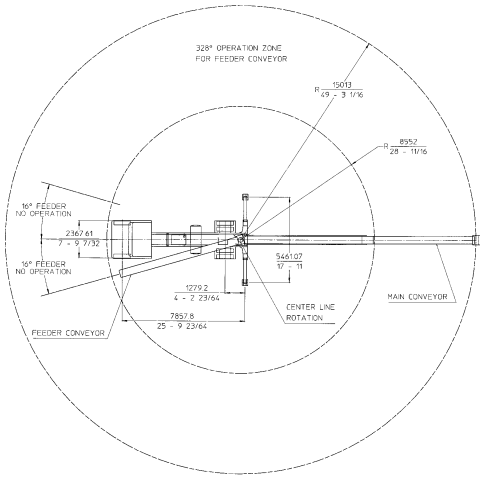




Specifications TB 50 Belt Conveyor



TB 50 Belt Conveyor Specifications

Conveyor horizontal reach –		
Maximum at 0°	50'	(15.24m)
Maximum at 30°	42'6"	(12.9m)
Conveyor belt width	16"	(406mm)
Feed conveyor length	27'	(8.2m)
Feed conveyor belt width	16"	(406mm)
Trunk/end hose length	8'	(2.4m)
	12'	(3.6m)
Discharge height –		
Maximum at 30°	27'6"	(8.4m)
Maximum at -12°	-19'7"	(-6.0m)
Rated capacity at 0°		
main & feed conveyors	80 yd ³ /hr	(61m ³ /hr)
Rated capacity up to 20°		
main & feed conveyors	50 yd ³ /hr	(38m ³ /hr)

Maximum theoretical values listed above.

Outriggers

Net reach beyond outriggers –		
at 0 degrees	47'6"	(14.5m)
at 30 degrees	40'9"	(12.4m)
Outrigger spread – rear only	18'	(5.5m)

General Specifications

Water tank capacity	200 gal	(757L)
Hydraulic oil tank capacity	40 gal	(151L)

Truck Specifications

	International 4700 Series	
Weight - chassis only	10,090 lbs	(4577kg)
Engine horsepower	215 hp	(160kW)
Wheelbase	254"	(6452mm)
Cab height	67"	(1702mm)
Steering radius (outside)	33'	(10.06m)
Steering angle	36°	
Fuel tank capacity	43 gal	(163L)
Transmission	International 6-PLUS 7 Speed	

All specifications apply to units mounted on International 4700 Series.
TB 50 can be mounted on a different chassis, if requested.

Right to make technical amendments reserved.



Putzmeister America
1733 90th Street
Sturtevant
Wisconsin 53177 USA

Telephone (262) 886-3200
(800) 884-7210
Facsimile (262) 884-6338
www.putzmeister.com